

SLICE²

Architectural form. Controllable light.

SLICE² represents the technological, functional, and aesthetic advancement of our successful office floor luminaire SLICE. With direct light and a high proportion of indirect light, SLICE² provides optimum lighting for modern work stations. The slender, flat shape is highly restrained; with its U-shaped base it can be positioned neatly next to tables and office furniture, thereby becoming integrated in a wide range of office contexts.

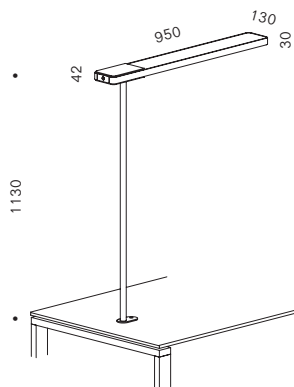
The illuminants are configured in a particularly innovative and ingenious way inside the completely sealed (and thus easy-to-clean) luminaire head: Specially positioned LED strips and flat reflection guarantee strong, extensive, and even ceiling light without any patches of light forming. Downwards, LEDs deliver light via the glass edges, where it diffuses thanks to the micro-prismatic lens of the lower cover, guarantee absolutely glare-free direct light at workstations, even at full power. The light remains free of multi-shadows and as such also suitable for exacting visual tasks.

Separating the functional units for direct and indirect light makes it possible to control room light precisely as required. With the default setting, the distribution of direct and indirect is set at a ratio of 16% to 84%, the light can be dimmed using a button on the luminaire head and thanks to the memory function keeps the last setting. SLICE² is also available with an optional presence, environmental and brightness sensor, which ensures energy-efficient lighting. Versions with an optional communicating radio or light management system are also available.

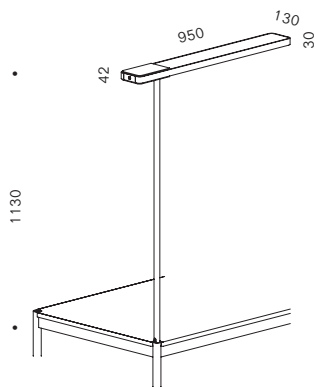
SLICE² fully meets all the requirements of the strict guidelines relating to office workplaces in terms of light output and glare elimination (UGR <15) and is also ideally suited for use at computer workstations in line with the relevant norms. A single luminaire fulfills the norm for a double workstation. SLICE² is available in versions with 2,700, 3,000 or 4,000 Kelvin, with a white, black, or silver silk-matt coating and in a chrome-plated version, which is an unusual feature in the office world. On request, special version in all RAL tones are possible.

All standard versions are now available.

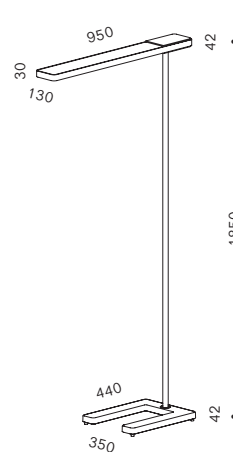
SLICE²



SLICE² Furniture



SLICE² with adapter
for USM Haller Table Systems



SLICE² Floor

material	lamp head, tube and base (Floor): aluminium chrome-plated (except base), black, white or silver coated; lamp cover: below prism pattern acrylic glass, above diffusor acrylic glass
lamp	2 × mid power boards, 2 × 41 W, CRI Ra>80, EEI A+ (suitable for A++ to A)
control	control integrated: on/off/dimming via button on luminaire head; control sensor: on/off/dimming via button on luminaire head and/or by presence and brightness sensor in the luminaire head
light	beaming upwards through diffusor plate, downwards directed through prism pattern glass; light distribution: indirect 85%/direct 15%
features	unified glare rating UGR<15; other technical versions (CCT/CRI/power) on request
design	da Costa & Wolf